



International Components Corporation

Tel: 631-952-9595 • 800-645-9154 • Fax: 631-952-9597 • Email: oemsales@icc107.com



GENERAL PURPOSE ROUND SPEAKERS

Part Number: S200RA-MB

MODEL NUMBER	S200RA-MB
FRAME DIAMETER (MM)	50
FRAME DEPTH (MM)	18.7 ± 0.9
MATERIAL: CONE / FRAME	PAPER / METAL
MAGNET TYPE	ALNICO
MAGNET: SIZE (MM) / WEIGHT (OZ/GRAMS)	13 x 10 - 0.35 / 9.8
RATED POWER (WATTS): Nom. / Max.	0.2 / 0.4
VOICE COIL IMPEDANCE (OHMS)	8 ± 15% @ 1000 Hz 1V
RESONANT FREQUENCY (Hz) Without Baffle	500 ± 100
FREQUENCY RESPONSE (Hz)	F₀ ~ 4500 ± 20 dB
OUTPUT SOUND PRESSURE LEVEL (S.P.L.)	84 ± 2 dB
MEASURED AT:	1W @ 100 CM
MEAN VALUE AT:	800, 1K, 1.2K, 1.5K Hz
OPERATION (MUST BE NORMAL)	PROGRAM SOURCE 0.2 W
BUZZ & RATTLES (MUST BE NORMAL)	1.26 CONSTANT VOLTAGE
DISTORTION @ RATED POWER INPUT	5% MAXIMUM @ 1,000 Hz
LOAD TEST (WHITE NOISE)	0.2 W @ 8 HOURS
HUMIDITY TEST*	40° ± 2°C 90~95% R.H. 8 HRS

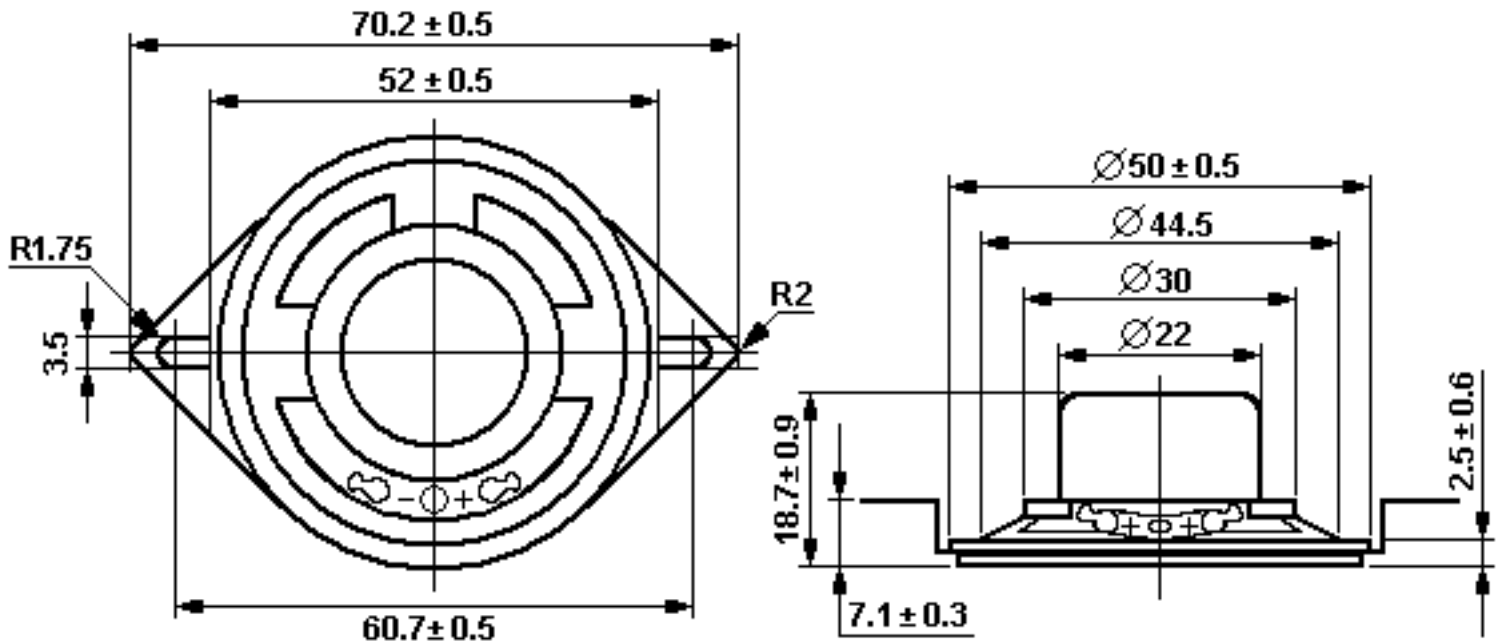
HEAT TEST*	70° ± 2°C 50% R.H. 8 HRS
OUTSIDE DIAMETER OF YOKE SEAT (MM)	18
OUTSIDE DIAMETER (ELIMINATE RIM)	44.5
BAFFLE OPENING (MM)	30
THICKNESS OF RIM (MM)	2.5 ± 0.5
NET WEIGHT (OUNCES/GRAMS)	1.52 / 43.0

POLARITY:

DIAPHRAGM SHALL MOVE FORWARD WHEN APPLYING A POSITIVE DC CURRENT TO THE "+" (OR MARKED) TERMINAL.

*SPEAKER MUST MEET NORMAL OPERATION AND BUZZ & RATTLES SPECIFICATIONS

■ DIMENSIONS



■ TYPICAL FREQUENCY RESPONSE CURVE



[Return to top](#)

All contents are Copyright © 1999 by International Components Corporation, All rights reserved.

This site was developed and is maintained by Promptweb.com. For information, concerns or comments send e-mail to the [webmaster](mailto:webmaster@pw2.com). (webmaster@pw2.com)
